



RECESSED SPOTLIGHT 4.0271

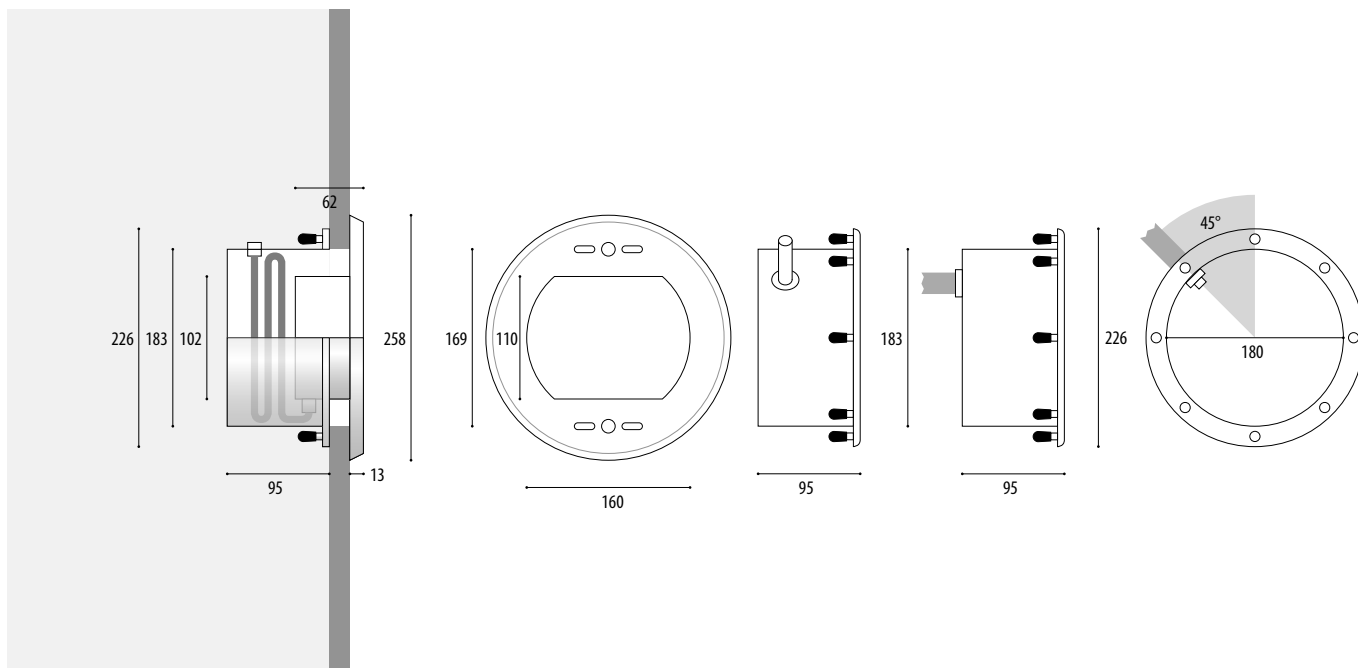
UNDERWATER

IP68



Frosted glass

Installation housing



Article number	Lamps	Lumen	Light colour	Wattage	Current/Voltage	Cable, installs	[V]
----------------	-------	-------	--------------	---------	-----------------	-----------------	-----

ONLY UNDERWATER OPERATION

HALOGEN

4.0271.03.10	QT12	2.200lm	3000K	100W	12V-AC	3 m (2x2,5 mm ²)	B18
4.0271.06.10	QT12	2.200lm	3000K	100W	12V-AC	6 m (2x2,5 mm ²)	B18
4.0271.10.10	QT12	2.200lm	3000K	100W	12V-AC	10 m (2x2,5 mm ²)	B18
4.0271.03.17	QT16	5.100lm	3000K	175W	12V-AC	3 m (2x2,5 mm ²)	A11
4.0271.06.17	QT16	5.100lm	3000K	175W	12V-AC	6 m (2x4,0 mm ²)	A11
4.0271.10.17	QT16	5.100lm	3000K	175W	12V-AC	10 m (2x4,0 mm ²)	A11
4.0271.03.20	QT16	5.800lm	3000K	200W	30V-DC	3 m (2x2,5 mm ²)	A12
4.0271.06.20	QT16	5.800lm	3000K	200W	30V-DC	6 m (2x2,5 mm ²)	A12
4.0271.10.20	QT16	5.800lm	3000K	200W	30V-DC	10 m (2x2,5 mm ²)	A12
4.0271.03.40	QT16	11.600lm	3000K	400W	30V-DC	3 m (2x2,5 mm ²)	A14
4.0271.06.40	QT16	11.600lm	3000K	400W	30V-DC	6 m (2x2,5 mm ²)	A14
4.0271.10.40	QT16	11.600lm	3000K	400W	30V-DC	10 m (2x4,0 mm ²)	A14

POW-LED 24 V-DC

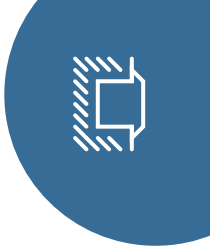
4.0271.00.01	18 POW-LED	2700 lm	6000K cold white	total 50 W	CC 700 mA @24 V-DC	3 m (2x2,5 mm ²)	W55
4.0271.00.09	24 POW-LED		RGB	all on 30 W	CC 350 mA @24 V-DC	3 m (8x0,5 mm ²)	

POW-LED 12 V-DC

4.0271.00.11	27 POW-LED	4050 lm	6000K cold white	total 85 W	CC 700 mA @12 V-DC	3 m (6x1 + 2x0,5 mm ²)	W62
4.0271.00.12	27 POW-LED	3510 lm	3000K warm white	total 85 W	CC 700 mA @12 V-DC	3 m (6x1 + 2x0,5 mm ²)	
4.0271.00.13	27 POW-LED	3780 lm	4500K neutral white	total 85 W	CC 700 mA @12 V-DC	3 m (6x1 + 2x0,5 mm ²)	
4.0271.00.26	27 POW-LED		capri blue (9 x blue, 9 x green, 9 x white)	total 85 W	CC 700 mA @12 V-DC	3 m (6x1 + 2x0,5 mm ²)	
4.0271.00.19	27 POW-LED		RGB	all on 85 W	CC 700 mA @12 V-DC	3 m (6x1 + 2x0,5 mm ²)	

INSTALLATION HOUSING

4.0274.00.00	built in pot of 316L stainless steel with 1,5 m cable duct, cable entry from side
4.0274.00.50	built in pot of 316L stainless steel with 1,5 m cable duct, cable entry from behind



4.0271 | SWIMMINGPOOL-LIGHT

FOR ILLUMINATION MEDIUM AND LARGE SWIMMING POOLS.

○→○ CENTUM[®] Updated version available: 4.0292 – Page 10

IP68	STAINLESS STEEL V4A 1.4571 316Ti	POW-LED INCL.	3.000 K 4.500 K 6.000 K	CONSTANT CURRENT KONSTANT STROM	QT12 QT16 12 V-AC 30 V-DC	CABLE INCL.	max 3m	←	↘	CE	III
------	--	---------------	-------------------------------	------------------------------------	------------------------------------	-------------	--------	---	---	----	-----



- Protection class IP68 – up to 3m water depth
- Entirely made of stainless steel 316Ti 1.4571
- Round attachment cover, made of stainless steel 316Ti, height 13 mm
- For all standard pool types
- ...
- QT12 or QT16 light sources
- POW-LED white 12 V-DC
- POW-LED capriblue 12 V-DC
- POW-LED RGB 12 V-DC
- POW-LED white 24 V-DC
- POW-LED RGB 24 V-DC
- optimization of beam angle character
- POW-LED-Platine temperatur control (NTC)
- Beam angle: 80° symmetric/horizontal and 45° asymmetric/vertical (halogen)
- ...
- Light source can be changed without draining the water (halogen)
- type 4.0272 with frosted glass for soft light distribution (light losses approx. 15 %)
- Supplied with light source and special underwater cable already connected

OPTIONS

Monochrome POW-LED available in red, green, blue, amber and warm white

NOTE

An installation housing is required for a new installation. Please order separately.

Must only be operated with a WIBRE power supply or controller

Power supplies Technical details see from page 234.

5.0100.00.00	Transformer, max 1 spotlights	5.0311.00.00	Transformer, max 2 spotlights
5.0100.00.00		5.0311.00.00	
5.0100.00.00		5.0311.00.00	
5.0311.00.00	Transformer, max 1 spotlights	5.0103.00.00	Transformer, max 2 spotlights
5.0311.00.00		5.0103.00.00	
5.0311.00.00		5.0103.00.00	
5.0410.00.01	Transformer, max 1 spotlights	5.0420.00.01	Transformer, max 2 spotlights
5.0410.00.01		5.0420.00.01	
5.0410.00.01		5.0420.00.01	
5.0420.00.01	Transformer, max 1 spotlights		
5.0420.00.01			
5.0420.00.01			
5.0670.00.40	Constant Current power supply, max 1 spotlights		
5.0635.09.24	RGB-Controller, max 1 spotlights		
5.0670.11.24			
5.0670.11.24	Constant Current power supply, max 1 spotlights		
5.0670.11.24			
5.0670.11.24			
5.0670.19.24	RGB-Controller, max 1 spotlights		

+ ADDITIONAL PARTS

	pressure flange for thin-walled pools or pools with fitted plastic foil 4.0274.00.25
	gluing and pressure flange for adhesive/foil coating with pressure flange 4.0274.55.25
	gluing flange for adhesive/foil coating 4.0274.55.55
	mounting plate for replacement to Wibre, square, grade 316, 290 x 290 x 11 mm 9.8167.00.00
	mounting plate for replacement to Wibre, round, grade 316, ø 310 x 11 mm 9.8267.00.00
	colour disk, for halogene yellow 4.0265.04.00 red 4.0265.06.00 blue 4.0265.07.00 green